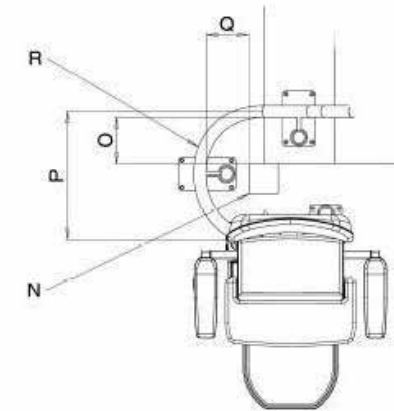
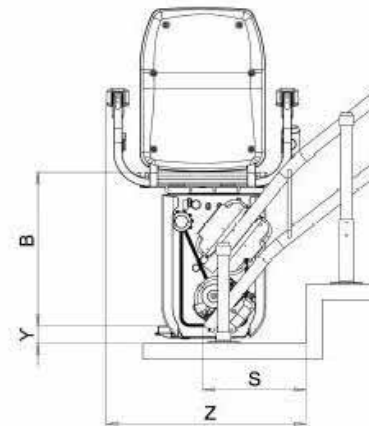
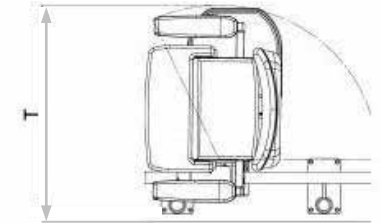
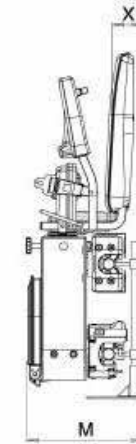
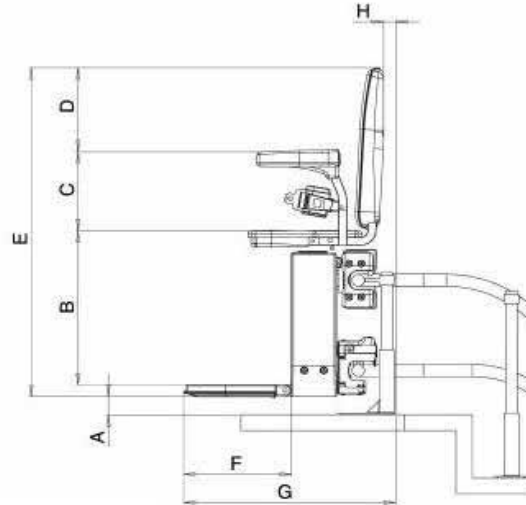
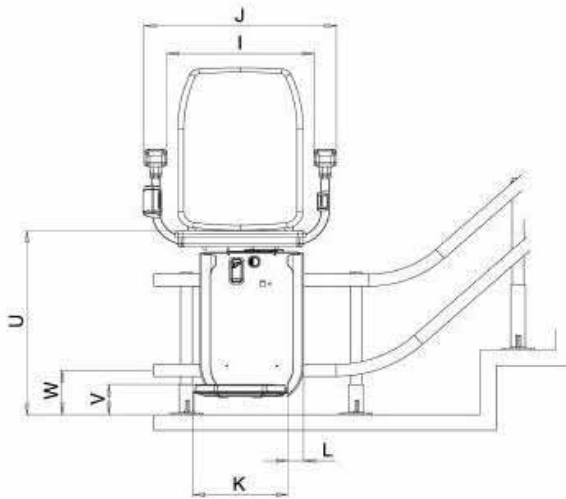


TECHNICAL DATA SHEET



| Regal Curved Stair Lift | | mm | Inches | mm | Inches |
|-------------------------|---|----------|---------|------------|---------|
| | | Standard | | Heavy duty | |
| A | Floor to bottom of footrest | 54 | 2.1 | 54 | 2.1 |
| B | Top of footrest to top of seat | 494 | 19.4 | 524 | 20.7 |
| C | Top of seat to top of arms | 244 | 9.6 | 244 | 9.6 |
| D | Top of arms to top of seat back | 261 | 10.3 | 231 | 9.1 |
| E | Overall height | 1041 | 41 | 1071 | 42.2 |
| F | Length of footrest | 329 | 13 | 329 | 13 |
| G | Front of footrest to back of the leg | 651 | 25.6 | 651 | 25.6 |
| H | Back of seat to back of leg | 39 | 1.5 | 39 | 1.5 |
| I | Width between arm rests | 451 | 17.7 | 556 | 21.9 |
| J | Overall width | 589 | 23.2 | 694 | 27.3 |
| K | Width of footrest | 290 | 11.4 | 291 | 11.4 |
| L | Footrest offset | 49 | 1.9 | 49 | 1.9 |
| M | Folded footrest width | 363 | 14.3 | 363 | 14.3 |
| N | Newell post typical | 90x90 | 3.5x3.5 | 90x90 | 3.5x3.5 |
| O | Newell post to inside of rail | 136 | 5.4 | 136 | 5.4 |
| P | 180 bend on rail centre to centre typical | 400 | 15.7 | 400 | 15.7 |
| Q | Newell post to inside of rail | 136 | 5.4 | 136 | 5.4 |
| R | Bend radius on centre line (min) | 200 | 7.9 | 200 | 7.9 |
| S | Front of drop nose to step (typical* 52° start) | 300 | 11.8 | 300 | 11.8 |
| T | Minimum swivel radius from wall | 680 | 26.8 | 723 | 28.5 |
| U | Seat to floor (on a horizontal run-on) | 589 | 23.2 | 619 | 24.4 |
| V | Top of footrest to floor (on a horizontal run-on) | 95 | 3.7 | 95 | 3.7 |
| W | Centre of tube to floor | 140 | 5.5 | 140 | 5.5 |
| X | Back of chair (inside) to wall (on a horizontal run-on) | 115 | 4.5 | 115 | 4.5 |
| Y | Top of footrest to floor (on normal start) | 58 | 2.3 | 58 | 2.3 |
| Z | Armrest to first riser (on typical* 52° start) | 610 | 24 | 660 | 26 |

* Typical Step: 7 inch (180mm) height
Measurements are only a guide and subject to site and client survey

